



COMPETITOR SERIES®

C-23FM-HC



C-49FM-HCe



C-72FM-HC



To learn more Scan QR codes



C-23FM-HC



C-49FM-HCe



C-72FM-HC

HINGED GLASS DOOR FREEZERS

- Beautiful ergonomic construction
- Digital temperature controller & read-out
- White powder coated steel exterior and interior
- Forced air refrigeration system
- Bottom mount compressor
- Recessed door handles
- LED interior lighting
- Bright lighted top display sign
- Low-E, Triple pane heated glass**
- Heavy duty ABS extruded door frame
- Pre-installed casters and shelving
- 90 degree hold open door feature for loading products
- Door locks
- All Natural R290 Hydrocarbon Refrigerant
- US Department of Energy Certified
- Migali® Protection Plan: 2 Year Parts & Labor Warranty, 5 Years Compressor Warranty
- Air Pressure Relief Valve for ease of opening doors

MODEL	DOORS	CAPACITY CU/FT	SHELVES	H/P	AMPS	VOLTAGE	ENERGY CONSUMPTION KWH/24 HR	PLUG TYPE	TEMP RANGE	EXTERIOR DIMENSIONS W X D X H*	INTERIOR DIMENSIONS W X D X H	PACKAGED DIMENSIONS W X D X H	WEIGHT	PACKAGED WEIGHT
C-23FM-HC	1	23	4	1/2	6.3	115/60/1	6.6	Nema 5-15P	-10° F (-) 0° F	27 x 31.75 x 81.4	22.25 x 27.3 x 60	29 x 34 x 83	308 lbs.	340 lbs.
C-49FM-HCe	2	49	8	3/4+	8.6	115/60/1	12.1	Nema 5-15P	-10° F (-) 0° F	54.4 x 31.75 x 81.4	49.7 x 27.3 x 60	57 x 34 x 83	498 lbs.	558 lbs.
C-72FM-HC	3	72	12	1	6.2	208-230/115/60/1	19.1	Nema L14-20P	-10° F (-) 0° F	82 x 31.75 x 81.4	77.1 x 27.3 x 60	84 x 34 x 83	688 lbs.	722 lbs.

* Total height includes 3" casters

**Glass panels are rated for installation at an altitude of < 2,000 ft.

FOR COMMERCIAL USE ONLY

NOTE: MIGALI® RESERVES THE RIGHT TO CHANGE SPECIFICATIONS WITHOUT NOTICE

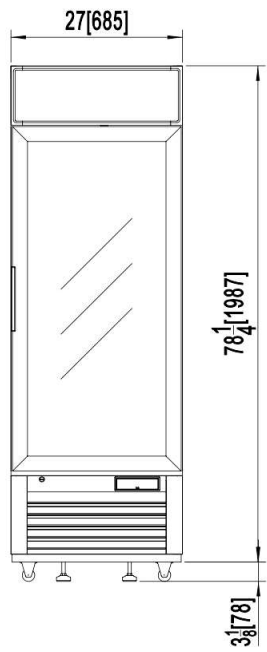


TOLL FREE: 800.852.5292
WEB: www.migali.com

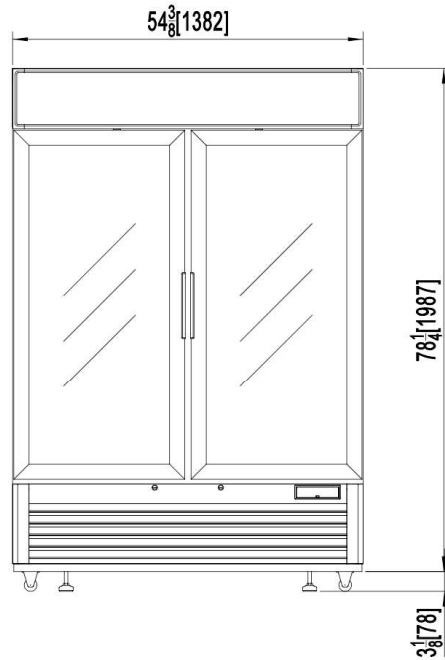


DIMENSIONAL DRAWINGS

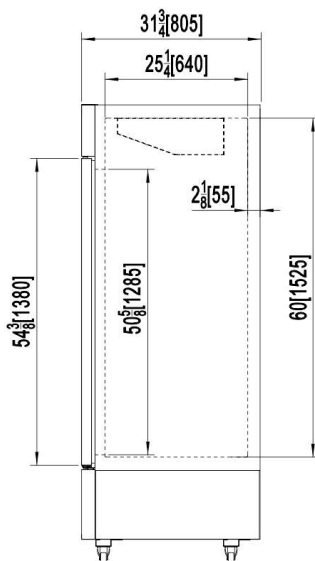
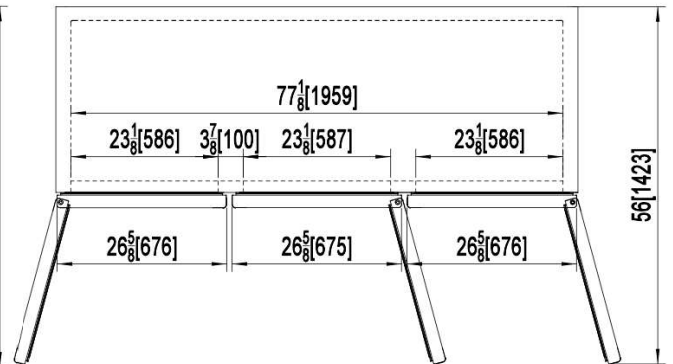
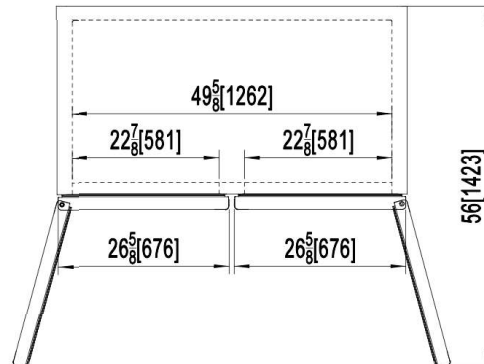
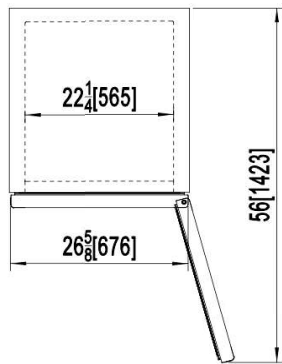
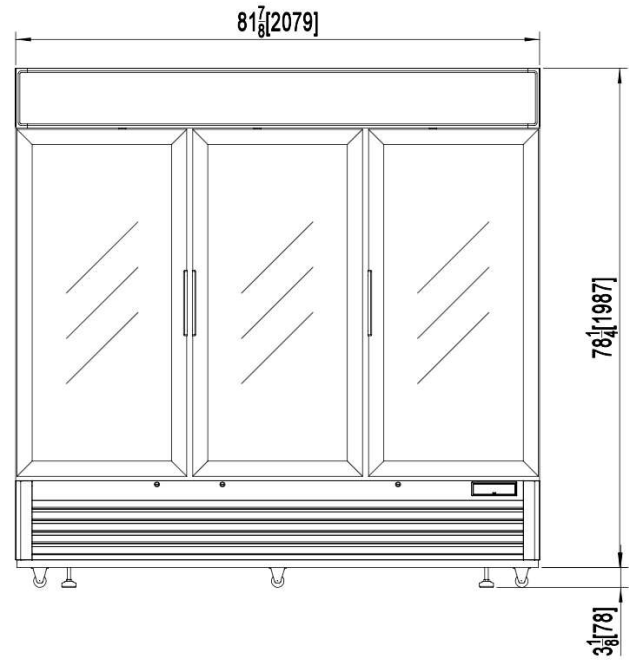
C-23FM-HC



C-49FM-HCe



C-72FM-HC



SIDE VIEW (1,2,3) DOOR MODELS



MIGALI® REMAINS AN AMERICAN FAMILY COMPANY SINCE 1955